

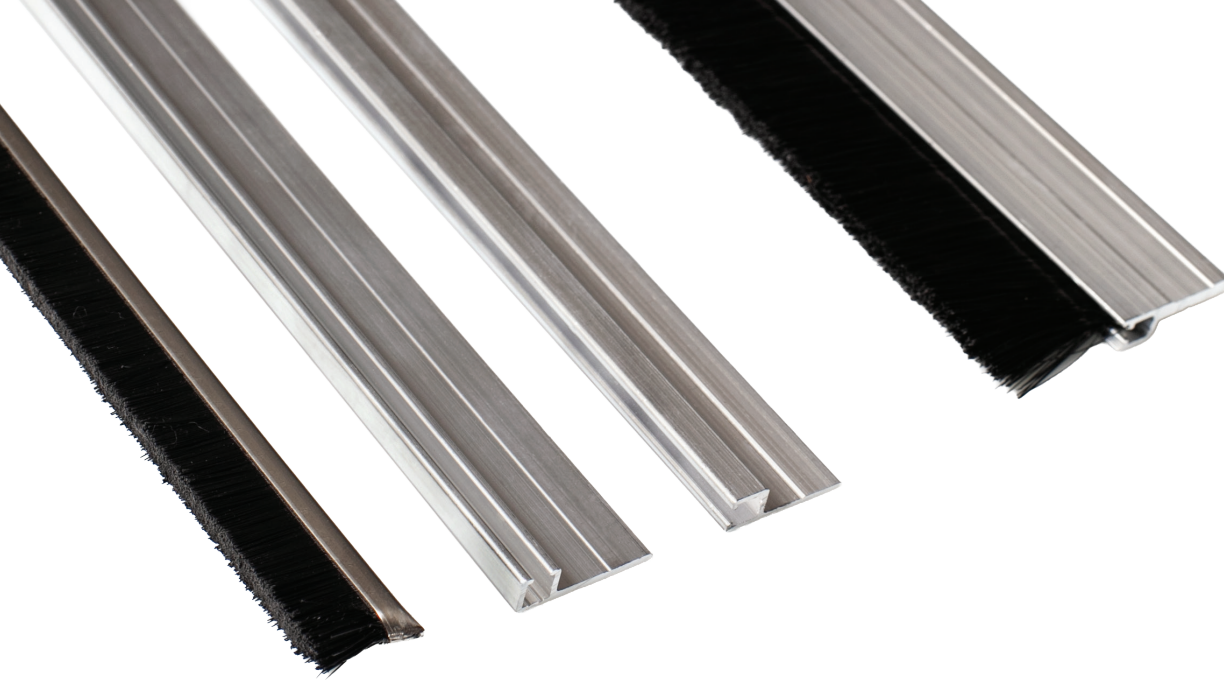
FAS 60/65

Door Brush Seals

Product Guide



Fire &
Acoustic
Seals



FAS Door Brush Seals

Our range of surface-mounted brush seals are the perfect solution for reducing noise and draughts whilst improving energy-efficiency.

These robust aluminium brush seals are an effective, DIY-friendly option for retrofitting internally onto your internal doors and garage doors.

There are two FAS Brush Seals to choose from:

- **FAS60-180** – fit onto the outside face at the bottom or side of a door
- **FAS65-90** – fit onto the underneath door edge

We also provide **FAS60** Brushes in several heights to fit your brush seal for gaps up to 50mm.

Areas of Application

- ✓ Timber, composite and metal doors
- ✓ Sliding doors & screens
- ✓ Garage doors
- ✓ Domestic, industrial and commercial

Contact a member of our team if you need any more information.



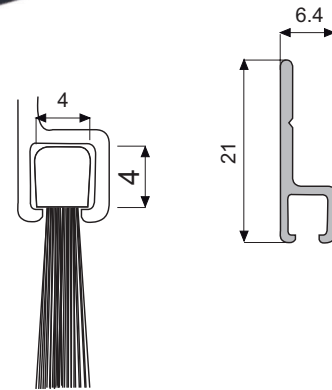
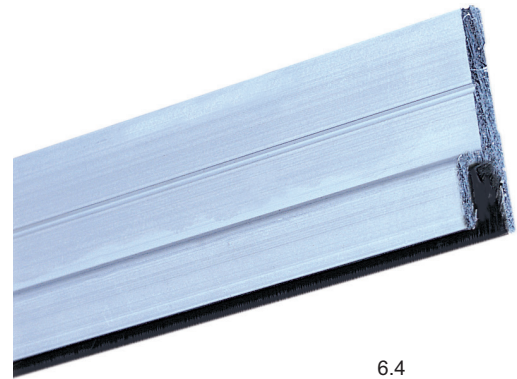
FAS60-180 Door Brush Seal

180° Angled Brush Seal

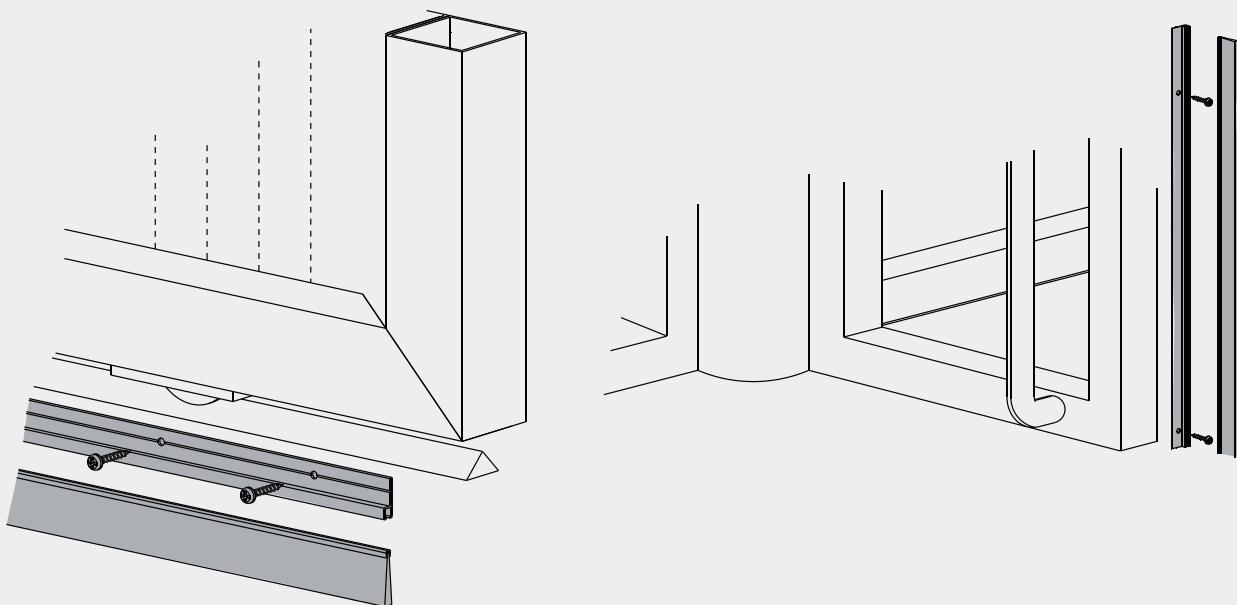
A sleek, surface-mounted seal designed for installing on the outside face of doors to reduce noise and draughts. Crafted from durable aluminium alloy, the FAS60-180 combines long-lasting performance with a clean, contemporary look that blends seamlessly into any space.

Features & Benefits

- ✓ 1000 and 2000mm lengths
- ✓ Supplied with brush heights of 15mm or 25mm. FAS60 Brushes in 38mm and 50mm are available
- ✓ Brush seal is supplied with the relevant brush installed
- ✓ Construction colour: silver and black
- ✓ Durable aluminium extrusion with polypropylene brush
- ✓ Supplied with pre-drilled holes and screws for easy installation
- ✓ Easy to cut to any desired length
- ✓ Built-in brush can be drawn out for easy cleaning or replacing
- ✓ Suitable for hinged, sliding and garage doors
- ✓ For installation to the outside face edge of a door



Installation Guidance



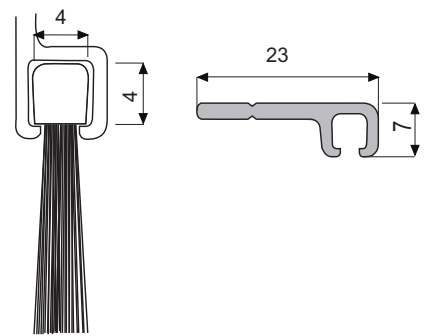
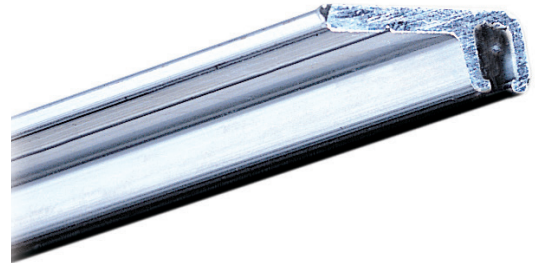
FAS65-90 Door Brush Seal

90° Right-angled Brush Seal

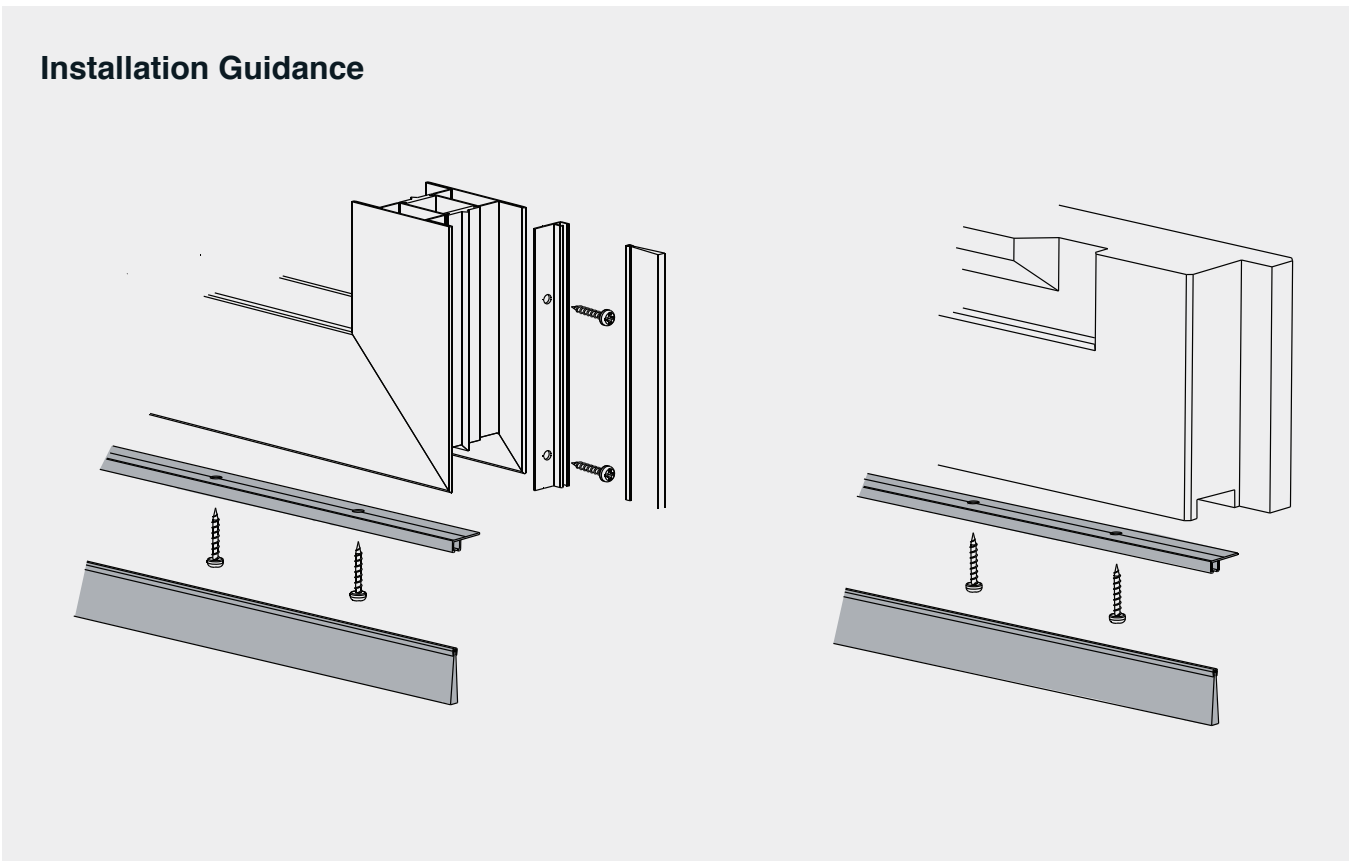
A discreet, surface-mounted solution designed for fixing beneath doors for gaps that require a clean, minimal finish. The FAS65-90 offers a refined, low-profile design that sits neatly out of sight while delivering reliable sealing performance.

Features & Benefits

- ✓ 1000 and 2000mm lengths
- ✓ Supplied with brush heights of 15mm or 25mm. FAS60 Brushes in 38mm and 50mm are available
- ✓ Brush seal is supplied with the relevant brush installed.
- ✓ Construction colour: silver and black
- ✓ Durable aluminium extrusion with polypropylene brush
- ✓ Supplied with pre-drilled holes and screws for easy installation
- ✓ Easy to cut to any desired length
- ✓ Built-in brush can be drawn out for easy cleaning or replacing
- ✓ Suitable for hinged, sliding and garage doors
- ✓ For installation to the underneath door edge



Installation Guidance



FAS60 Brush

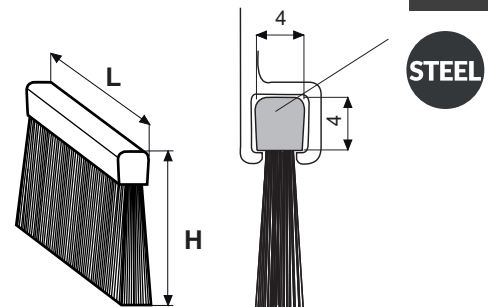
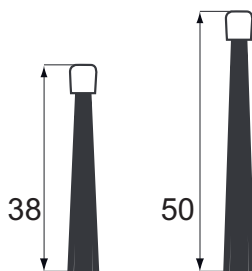
These brushes fit the **FAS60-180** and **FAS65-90** Door Brush Seals.

Features & Benefits

- ✓ Available in 2m lengths and a choice of heights
- ✓ Fits into the FAS60-180 & FAS65-90 to reduce draughts, dust and noise
- ✓ Easy to cut to any desired length
- ✓ Bristles: Black polypropylene
- ✓ Installation direction: Slide into relevant seal



Brush heights



Product Codes

Product	SKU Product Code	Length	Brush Height
FAS60-180 Door Brush Seal	FA-FAS60-18015-1M	1m	15mm
FAS60-180 Door Brush Seal	FA-FAS60-18015-2M	2m	15mm
FAS60-180 Door Brush Seal	FA-FAS60-18025-1M	1m	25mm
FAS60-180 Door Brush Seal	FA-FAS60-18025-2M	2m	25mm
FAS65-90 Door Brush Seal	FA-FAS65-9015-1M	1m	15mm
FAS65-90 Door Brush Seal	FA-FAS65-9015-2M	2m	15mm
FAS65-90 Door Brush Seal	FA-FAS65-9025-1M	1m	25mm
FAS65-90 Door Brush Seal	FA-FAS65-9025-2M	2m	25mm
FAS60 Brush	FA-FAS60BRUSH38-2M	2m	38mm
FAS60 Brush	FA-FAS60BRUSH50-2M	2m	50mm



**Fire &
Acoustic
Seals**

Fire & Acoustic Seals Ltd

Unit 17, Spartan Industrial Estate, Brickhouse Lane, West Bromwich B70 0DH

0121 521 2179

sales@fireandacousticseals.co.uk

www.fireandacousticseals.co.uk