

FRONTIER | ENTRANCE DOOR
HARDWARE COLLECTION

RLP Letterplate



RLP Letterplate



Rutland's RLP Letterplate is a top-end, slim profile fire & security letterplate and as part of the Frontier Collection is colour suited to Rutland's Door Closers and other entrance door hardware finishes. Simple one-tool, one-cut CNC routing pattern saves machining and fitting time.



Guarantee



FD30



TS008:2022



PAS24

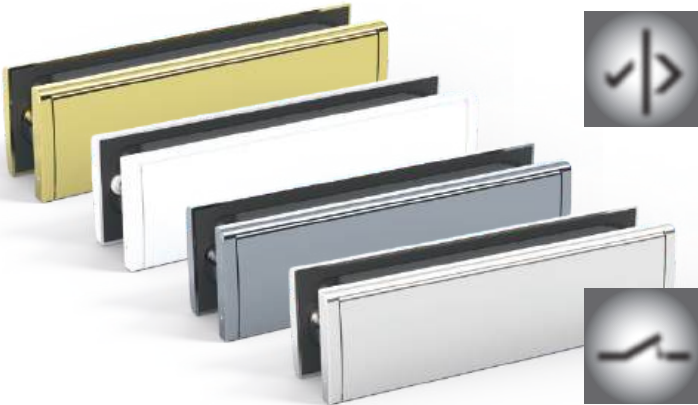
Product Features

Slim profile design	
One tool CNC aperture cut	
Adjustable for 44mm to 54mm thick door	
Internal fixings for security	✓
Internal plate projection 14mm	✓
External plate projection 15mm	✓
Registered design	✓

Compliance - Certification & Testing

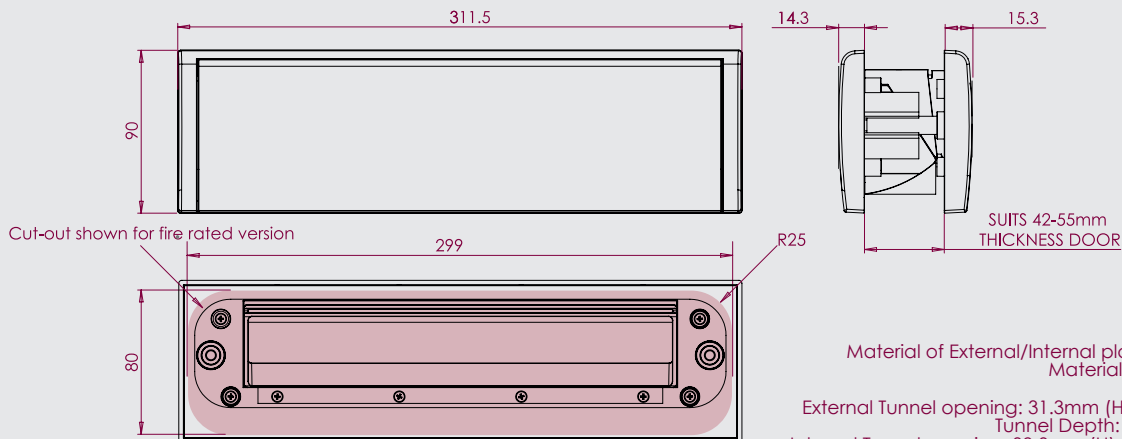
TS008:2022 Enhanced security tested	
TS008:2022 Cycle tested to 20,000 cycles	
TS008:2022 Kitemark third-party certificated	
PAS24 tested (assists compliance with ADQ)*	✓
TS008:2022 Corrosion tested 240 hours grade 4, and 480 hours grade 5 (powder coated) to BS EN 1670	✓
Police Secured by Design (SBD) Preferred Specification	✓

* Tested as a safety critical component within timber doorset & composite doorset
 ** For fire doors must use RLP.IP intumescent kit



Finishes

- 
PNP
 Polished Nickel
- 
SNP
 Satin Nickel
- 
PB
 Polished Brass
- 
WH
 White
- 
SE
 Silver (RAL9006)



Description	Finish	Re-order Code	Product Code	Box Qty
RLP Letterplate	Polished Nickel	10836	RLP.PNPPNP	10
	Polished Nickel External / White Internal	10837	RLP.PNPWH	10
	Satin Nickel	10841	RLP.SNPSNP	10
	Polished Brass	10838	RLP.PBPPB	10
	White	10840	RLP.WHWH	10
	Silver (RAL9006)	108XX	RLP.SESE	10
Intumescent Kit**		10854	RLP.IP	10