

SCISSOR ARM DOOR CLOSERS

TS.5204



SCISSOR ARM DOOR CLOSERS

TS.5204

The TS.5204 is an easily adjustable and economical door closer that is power adjustable by spring, with back check as standard, and optional delayed action.

- Assists BS8300 meaning easy use for the less able.
- Available in Silver, Satin Nickel, Polished Nickel, Polished Brass, Antique Brass and Black for next day delivery
- Universal application meaning it can be fitted in Standard, Parallel arm or Transom fitting position



3rd Party Certification



Opening Angle 180°



Two-Stage Speed Regulation



Guarantee



Max Door Width



Max Door Weight



Product Features	TS.5204
Delayed Action	TS.5204DABC
Back Check	TS.5204BC
Opening Angle	180°
Fig.1 Pull Side Door Width	360-1100mm
Fig.66 Push Side Door Width	485-985mm
Fig. 1 BS8300 Door Width	920mm
Fig.66 BS8300 Door Width	887mm
Max Door Weight	<80kg
Power Adjustment	By Spring
Hold Open (not for fire doors)	o
Dimensions (including cover)	W258 x H68 x D45mm

Certification Compliance	
Certifire	-
UKCA	✓
CE	✓
BS EN 1154	✓
BS EN 1634	✓
UL10C	✓
UL228	✓
ANSI BHMA	-
IFCC	✓

Key: ✓ Yes - No o Option

Finishes

See page 98 for more detail



SE Silver



SNP Satin Nickel



PNP Polished Nickel



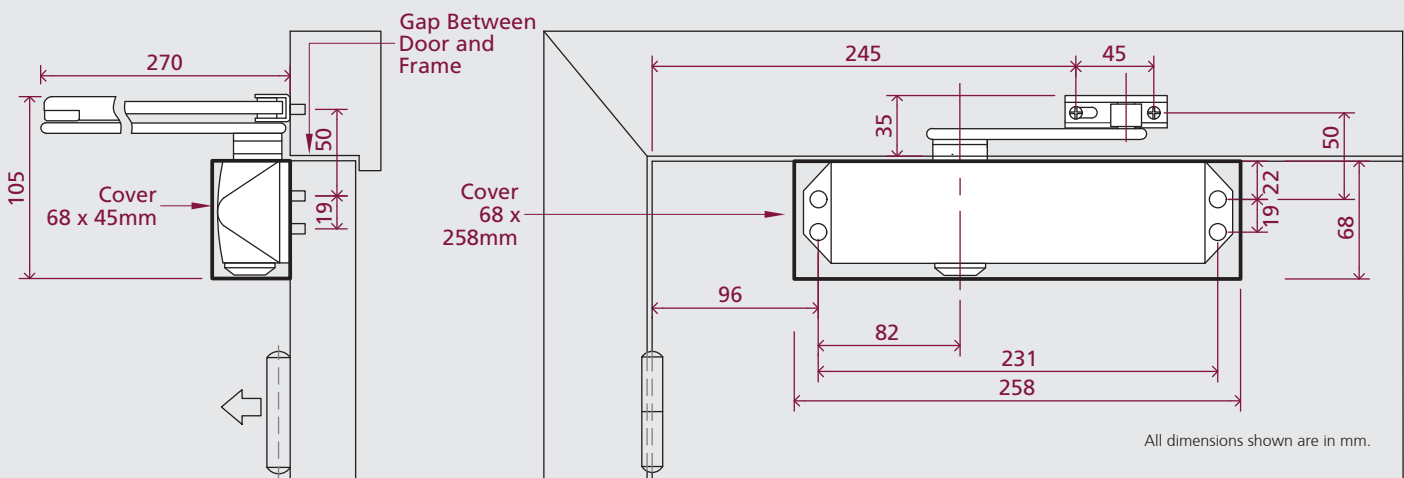
PVD Polished Brass



AB Antique Brass



BK Black



For fitting instructions see website